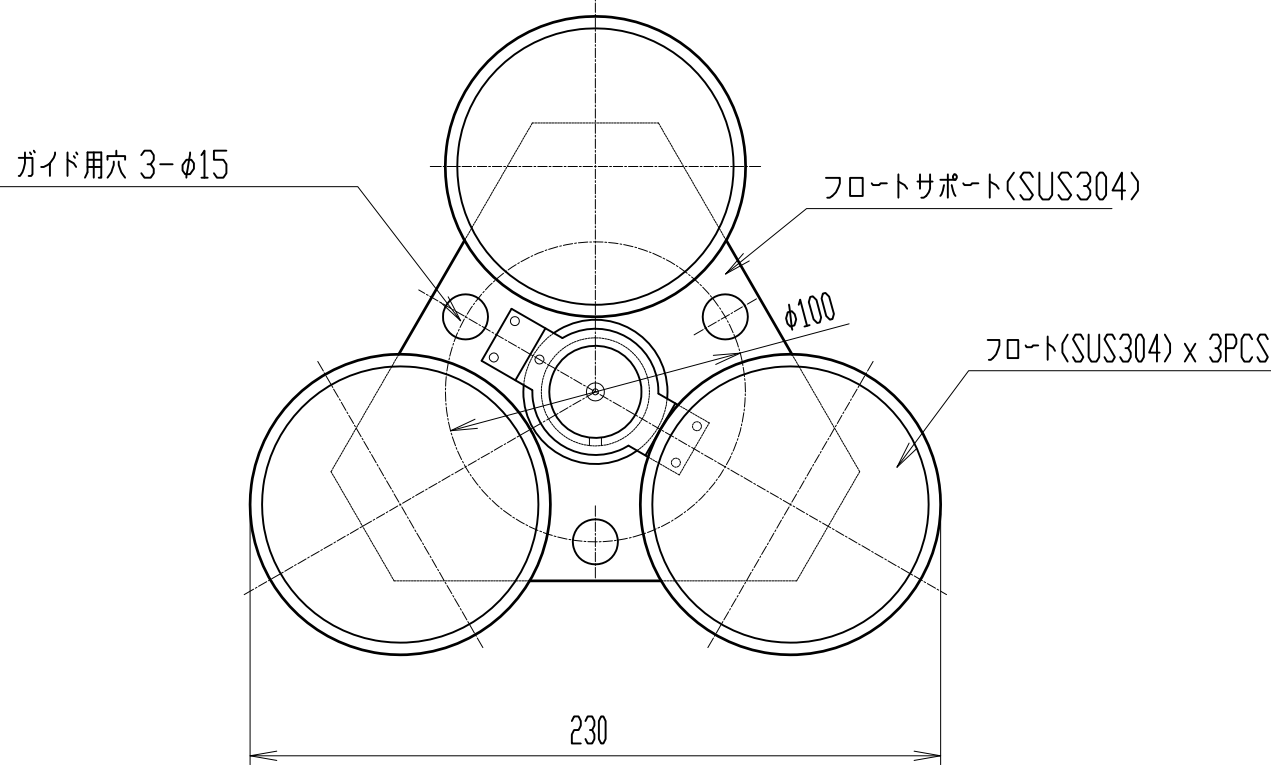
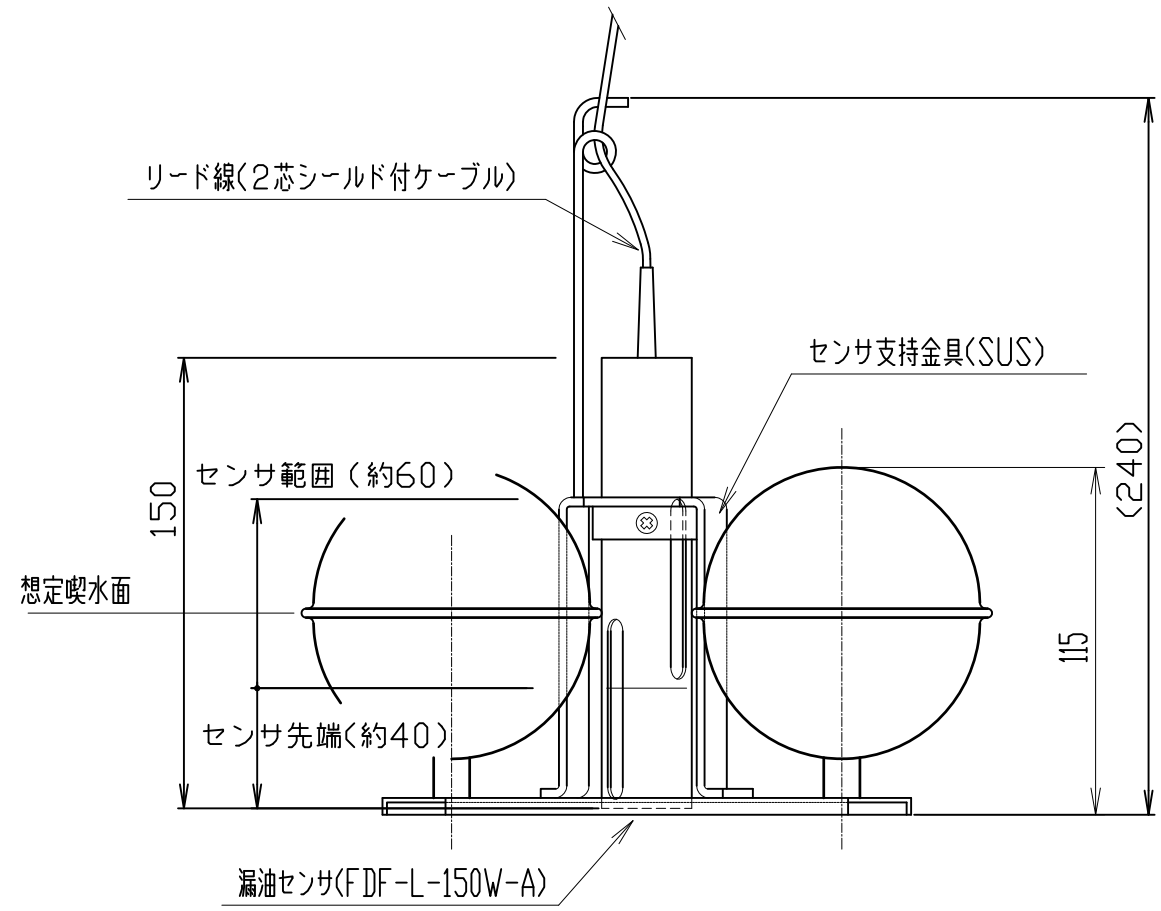
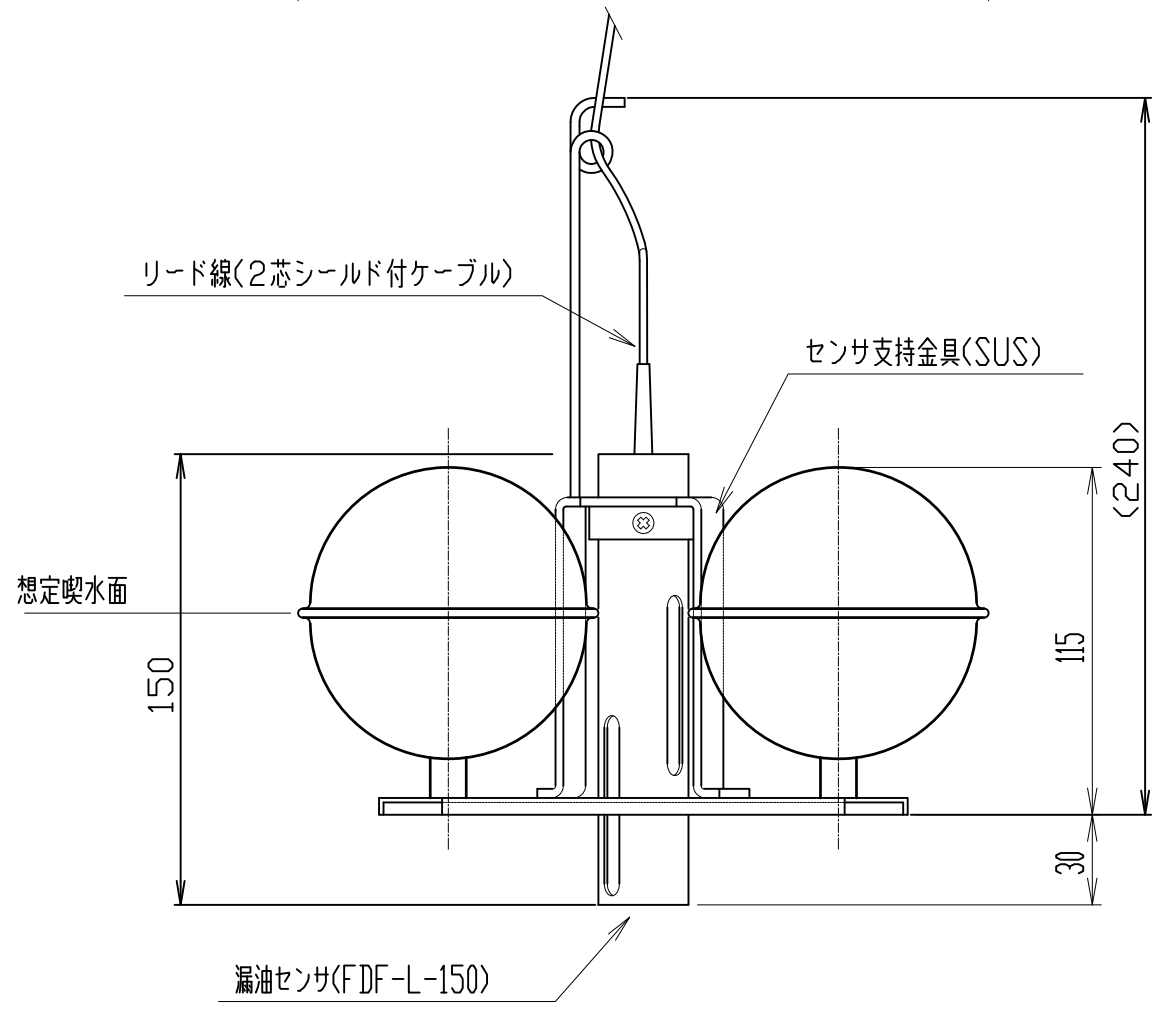


RevNo	Revision note	Date	Signature	Checked



FDF-L-150W-A



FDF-L-150

Designed by KenjiT	Checked by K.T	Approved by - date K.T Sep08'10	Filename 10090801.dwg	Date Sep08'10	Scale Free
			Title FA-30センサ取付要領図		
			DWG LPH220908-01	REV. 0	Sheet No. A3